



# FX1 OWNERS MANUAL



PGA is a registered trade mark of the Professional Golfers' Association Limited.

[POWAKADDY.COM](http://POWAKADDY.COM)



Thank you for purchasing the all new PowaKaddy. Please read the following instructions carefully. Battery care is very important, please refer to Section 6 for detailed instructions.

When you receive your new PowaKaddy you will have the following:

- |                 |                          |
|-----------------|--------------------------|
| 1 x Trolley     | 1 x Front Wheel Assembly |
| 1 x Battery     | 1 x Front Bungee Strap   |
| 1 x Charger     | 1 x Instruction Pack     |
| 2 x Rear Wheels |                          |

---

## CONTENTS

---

1. Product Warranty .....	Page 3
2. Safe Use of Product .....	Page 3
3. Getting Started .....	Page 4
i. Attach the Wheels	
ii. Folding the Frame	
iii. Lithium Battery	
iv. Front Wheel Adjustment	
v. Handle Height Adjustment	
vi. Mag-Lok®	
4. Controls Overview .....	Page 7
i. Motor Controls	
ii. USB-C Charging Port	
iii. Electronic Braking System (EBS)	Page 8
5. Battery Care .....	
i. Charging Instructions	
ii. Battery Safety	
iii. Charging Safety	
iv. Lithium Battery Storage	
v. Lithium Battery Transportation	
vi. Lithium Battery Disposal	Page 9
6. Maintenance .....	

If unable to locate required information within this manual, please visit [www.PowaKaddy.com/Support](http://www.PowaKaddy.com/Support) where you will find our trolley product FAQ's. Alternatively contact the PowaKaddy Customer Service team.

---

## PRODUCT WARRANTY

---



### Register now! Don't miss out!

Scan to open the registration page  
or visit: [powakaddy.com/my-powakaddy](https://powakaddy.com/my-powakaddy)

Please take a moment to register your new product.

You will be required to enter the serial numbers for the Trolley, Battery and Charger. These are located on the individual items. The serial number on the trolley is located in the rear joint, see image.

*\*Terms and conditions apply. See [powakaddy.com](https://powakaddy.com) for details.*



---

## PRODUCT SAFETY

---

Only use the product as described in this User Manual and the provided Safety Guide.

1. Ensure the trolley is fully assembled before use.
2. This product is for outdoor use only. Do not use in a confined space. Pay particular attention when using in close proximity to other people and vehicles. Take care when using the product in wet or slippery conditions under foot.
3. Use the trolley at a safe and comfortable speed. The higher speed settings are intended for use uphill. Setting the trolley off at high speed may cause the trolley to become unstable.
4. Although weatherproof, avoid driving the trolley through puddles or standing water.
5. This product is not a toy. Take particular care when using around or near children. Children should be supervised if using the product at all times.
6. Never operate the product under the influence of drugs or alcohol.
7. If you are concerned about the operation of your trolley, please contact your local PowaKaddy Service agent or PowaKaddy support.

Note: the trolley is optimised for a bag weight of up to 14kg. An excessively light or heavy bag will affect trolley performance.

For further information, please refer to the Product Safety guide provided with the trolley and visit the PowaKaddy website.

*PowaKaddy International Ltd cannot take responsibility for damage or injury caused by improper use.*

# GETTING STARTED

## Attach the Wheels

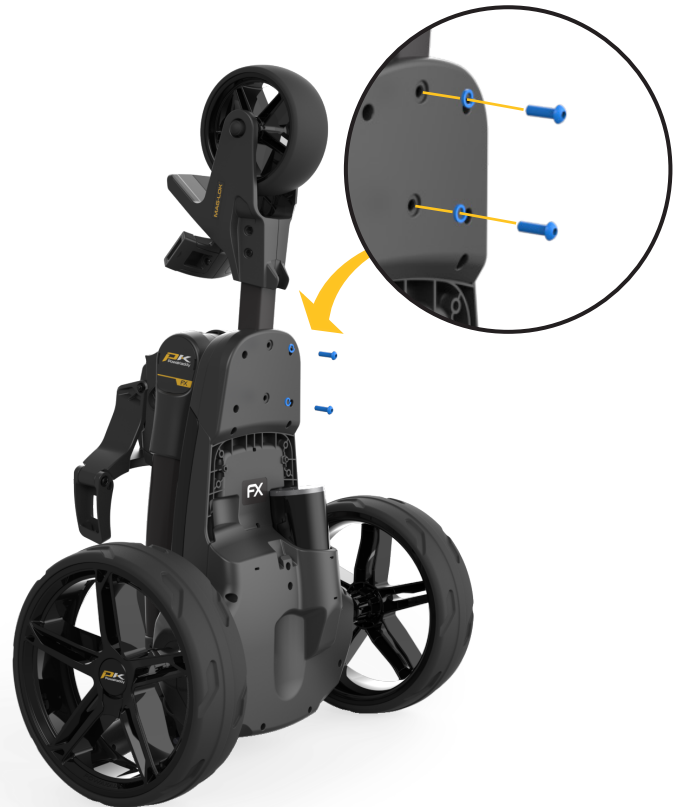
Remove the front wheel assembly, wheels and frame from the box.

Remove the axle caps and fit the rear wheels by pressing the release button and sliding onto the axle until the clutch is engaged.

Slide the front wheel assembly into the frame and secure using the two Hex bolts and washers provided polybag using the supplied 4mm Hex Key.

Note: please save the hex key for adjusting the handle height

Note: On EBS models only, the wheels can be locked into two positions on the axle; push onto the inner groove to engage the clutches. The outer groove can be used when drive is not required.



## Unfolding the Frame

To open the frame, push the front wheel lever (highlighted blue) towards the bag stay and rotate the front wheel assembly until it locks into place. Secondly, press the main lock button (highlighted blue) and lift the handle until the rear and upper joints click into place.

Reverse the process to fold so that the handle hook locks into the rear joint.



## Lithium Battery

IMPORTANT- you must fully charge the battery before using the trolley. Always recharge the battery within 24 hours of use. Failure to do so could reduce the life of the battery. See the Battery Care section, for detailed instructions.

Your Powakaddy trolley features an innovative Plug'n'Play™ battery system including sprung terminals and a locking feature to maintain power connection over uneven terrain. Once your battery is charged and trolley assembled, connect your battery as shown.

1. Engage the front of the battery.
2. Press the rear until the battery clips into position.
3. Press the Power button to turn the trolley on.

To remove the battery, first turn off via the power button. Pull the grey latch to disengage the battery before lifting from the frame.

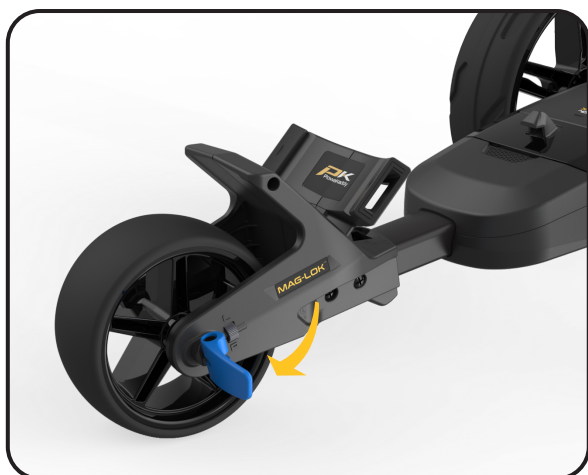
Note: The Lithium battery can be stored within the tray for transportation. Please ensure you turn off the battery using the power button. Leaving your battery on with the Green LED illuminated could lead to your battery discharging or trolley activating during transportation.



## Front Wheel Adjust

To modify the straight line running of the trolley :

1. Release the front wheel lever.
2. Rotate the adjustment wheel up to make your trolley track more to the LEFT.
3. Rotate the adjustment wheel down to track more to the RIGHT.
4. Once you are happy the trolley is running straight re-apply the lever to lock in position.



## Handle Height Adjust

The handle height is pre-set to suit most users but can be adjusted to one of five positions. To adjust:

1. With the trolley fully open, remove the locking bolt from the height adjust plate using the 4mm hex key supplied in your manual pack.
2. Raise or lower the handle to the new desired position.
3. Tighten the bolt back up ensuring the adjustment plates on both sides are locked into the mating features.



## Mag-Lok®

Your trolley is fully compatible with Powakaddy's innovative, magnetic bag lock system. Quickly and effortlessly attach the bag to the trolley without the need for a lower strap.

The Mag-Lok® is provided with all new compatible Powakaddy Cart Bags. Remove the Mag-Lok® from the tag and then assemble onto the front bag stay using the screw and 3mm hex key provided.

Don't have a compatible Powakaddy Cart Bag?  
The trolley will still work with most cart bags using the Key-Lok™ system - simply attached the front strap (provided in the carton) by clicking it into place on each side of the lower bagstay.



# CONTROLS OVERVIEW

Once your battery is fully charged, connected and powered, your trolley is ready to use.

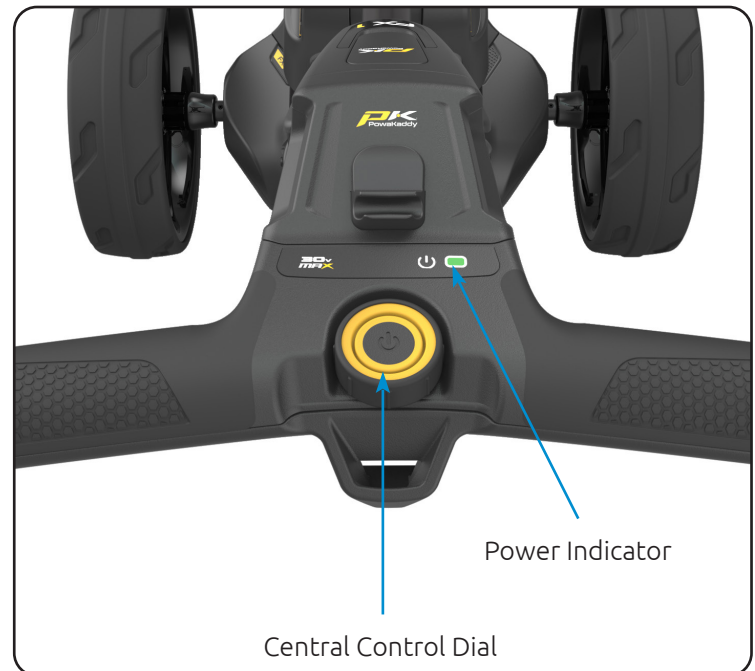
## Motor Controls

**Start and Stop the trolley:** To start the motor, simply press the black button in the centre of the control dial. To pause the motor, press once more.

When the motor is powered, the power indicator will change from red to green. When the motor is paused, the speed setting will flash and the power indicator will turn red.

**Increase and Decrease Speed:** Rotate the control dial to adjust the speed of the trolley. Press the control dial to pause and resume your selected speed - there is no need to reduce the speed setting.

Note: the motor has a 15-minute time out function and will pause the motor after running continuously for this duration. Press the control dial to resume.



## USB-C Charging Port

Located on the underside of the handle. Open the hatch to charge GPS & mobile devices. The output is rated up to 5V/1.5A, suitable for most USB devices\*

\*USB output voltage 5V/1.5A compatible with most USB portable devices, please check device manufacturers instructions before use. PowaKaddy International Ltd accepts no liability for loss of data or damage from using the charging port with incompatible devices.

## EBS (Electronic Braking System)

The optional extra EBS is an automatic assisted braking system for downhill descents, maintaining the selected speed to prevent the trolley running away from the user.

Warning: EBS is an assisted braking system for hill descent, not a 100% parking brake. The trolley must be powered on and the wheels engaged with the clutch for the braking system to function.

Caution: Steep, wet or loose ground conditions may cause the wheels to lock and slip. When walking up, down or traversing slopes, please maintain a firm grip on the handle to assist the trolley and avoid injury or damage.

---

# BATTERY CARE

---

Note: the STANDARD 30V Lithium Battery is designed for use over 18 holes and must always be fully charged before the next round. Please follow charging instructions as outlined on the following pages. We are aware that some golfers will try to stretch these batteries to 27 holes. This may damage the overall capacity of the battery and may result in an early failure. Playing more than 18 holes with the STANDARD battery can seriously shorten the battery's life and will invalidate the battery's warranty.

Note: in normal conditions the XL Extended 30V Lithium Battery will do 36 Holes when used on a PowaKaddy product. Conditions such as long or exceptionally hilly courses, wet ground conditions and excessively heavy golf bags may reduce the range of the trolley.

## Charging Instructions

1. Plug the charger into the mains - the charger indicator light will be green.
2. Turn on the battery by press and holding the power button until the green light is illuminated.
3. Plug the battery into the charger. The charger light will turn from green to red to indicate the charging process has started.
4. Once the battery is fully charged, the charger status light will be continuous green. At this point, remove the battery from the charger and the charger from the outlet.
5. Turn off the battery using power button.
6. The charging process will take approximately 8 hours depending on the extent of the discharge and battery capacity.
7. Avoid leaving your battery on charge for longer than 12 hours. If left for a long period of time, the battery will automatically turn off.

Please note: if the red and green lights are flashing on the charger, this will indicate that:

- a. The battery was not turned on when connected to the charger.
- b. The charge cycle has finished, and the battery has turned off.
- c. There may be a fault with the battery or charger, please contact PowaKaddy technical support.

## Battery Safety

- Never short circuit a battery. Keep it away from paper clips, coins, keys and other small metal objects that can make a connection between the terminals.
- Do not splash or immerse in liquids.
- Do not store or charge the battery in locations where the temperatures may exceed below -10° (14° F) or above 40° C (105° F) such as outdoor sheds or metal buildings in summer.
- Only charge your PowaKaddy battery using the approved charger supplied. Using another charger may damage the battery or cause fire.
- Never use the battery if the casing or terminals are damaged.
- There are no serviceable parts within the battery, DO NOT ATTEMPT TO OPEN THE BATTERY or attempt a repair. RISK OF ELECTRIC SHOCK OR FIRE.
- The battery is a sealed unit. In the unlikely event liquid leaks from the battery, do not touch the liquid as it may cause irritation or burns.

Follow these precautions:

- Skin contact – Wash with soap and water.
  - Inhalation – Expose to fresh air and seek medical advice.
  - Eye contact – Immediately wash with water for at least 15 minutes. Seek medical attention.
  - Disposal – wear gloves to handle the battery and dispose of immediately; contact your local council or recycling centre.
- Do not incinerate the battery even if damaged.
  - Only use a PowaKaddy Battery with a compatible PowaKaddy Trolley. Use of the battery pack on other products may create risk of injury or fire.



## Charging Safety

- Do not probe terminals with conductive objects.
- Only charge a PowaKaddy battery using the supplied PowaKaddy charger. The charger and battery pack are specifically designed to work together.
- Only charge on a hard, flat surface.
- The charger will get warm. Do not cover the charger or the battery.
- Do not expose the charger to rain, frost, or snow.
- Do not use a charger if the plug, leads, contacts or casing is damaged.
- Remove the plug with care. Do not pull on the cord.
- Avoid using an extension cable.

## Lithium Battery Storage

Batteries are to be stored in a cool and dry place away from direct sunlight and excessive heat or cold; ideally store at room temperature. Charge your battery fully before storing. Charge once every three months thereafter.

## Battery Transportation

Ensure the battery is turned off when transporting the trolley to avoid activating the trolley and discharging the battery. Check with your airline before attempting to ship your battery by air.

## Lithium Battery Disposal

At the end of its useful life, please discard the battery with due care for the environment.

1. If possible, run down the battery completely and remove from the trolley.
2. Take the battery to your local recycling centre.

---

## MAINTENANCE

---

Your PowaKaddy trolley is easy to maintain.

1. Store your trolley inside.
2. Never jet wash or immerse in water. Clean the trolley using a sponge and warm water to remove mud, grass, and other debris.
3. Occasionally remove the wheels and apply grease to the axles and wheels.
4. Only use approved PowaKaddy parts for repairs.

Your serial number can be found in the cavity of the rear joint, please make a note for future reference.

Should you experience a problem with your PowaKaddy product, please visit [www.powakaddy.com/support](http://www.powakaddy.com/support)



The POWAKADDY name and PK logo are registered trade marks of Powakaddy International Limited and are protected in the UK and other countries and regions. In addition, Powakaddy International Limited owns various design registrations, patents and other IP rights in connection with their products.

Only Powakaddy International Ltd and its authorised stockists and licensees may use the Powakaddy logo, product logos and images in advertising, promotional and sales materials, subject to terms and conditions.

Powakaddy International Ltd is registered in UK. Company No. 07747629, UK Trade Mark Registration No. 3593096



**Register now!**  
**Don't miss out!**

Scan to open the registration page  
or visit: [powakaddy.com/my-powakaddy](https://powakaddy.com/my-powakaddy)



PGA is a registered trade mark of the Professional Golfers' Association Limited.